

CLAIR LIGHTING

450W Followspot

User's Manual



2 Caution

2.1, before installation, please check whether the mechanical fasteners for transport and loose, and do the regular maintenance.

2.2, to maintain voltage stability, otherwise easy to cause the lamp damage.

2.3, please check before the voltage is normal, it is not suitable for frequent switching power supply, power off,

2.4 You must need to wait for ten minutes to make a light bulb completely cooled again if need open again..

2,5 in order to ensure the service life of the product, please keep dry and ventilated.

2,6 strictly charged installation and disassembly. The product should do the maintenance by the the professionals.

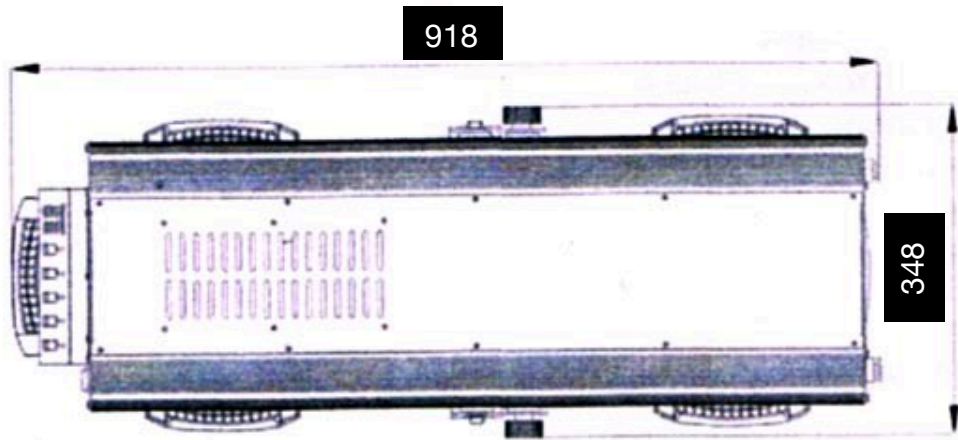
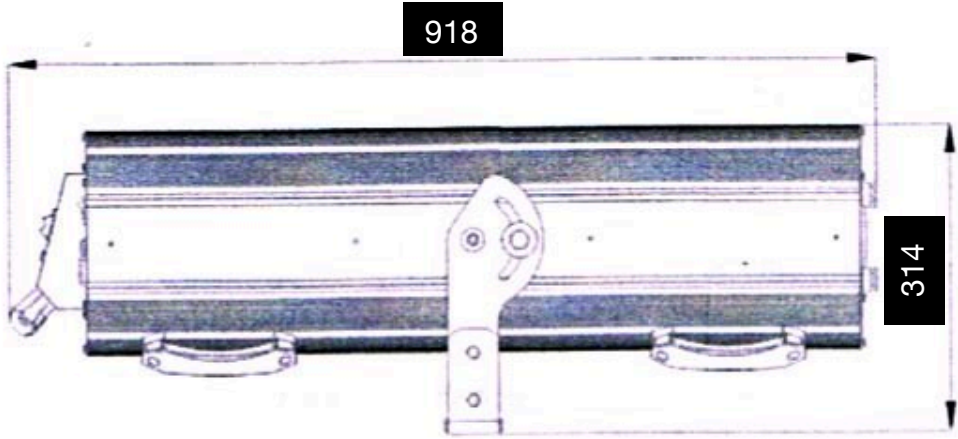
2.7 when checked everything is normal, adjust the angle, connect the power supply and the ground wire..

, do not stare at the lamp light source directly, so as not to damage the eyes.

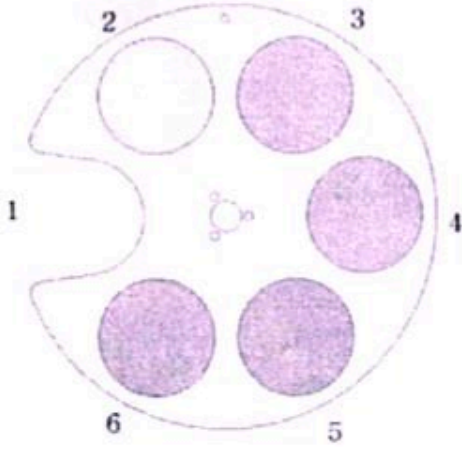
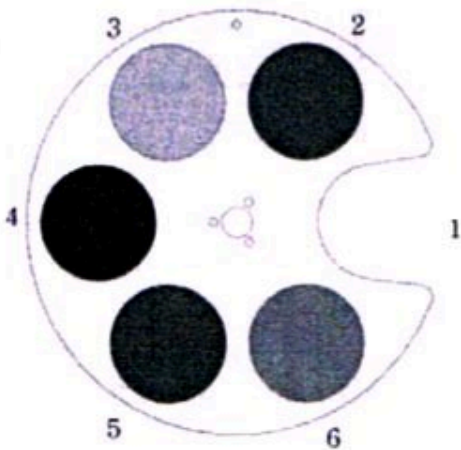
, please use the electric wire connected more than 2.0 square..

10, please make sure the lamp power is disconnected during the light of installation and repair.,

3.Dimension



Colors



- 01 —white 02 —red
- 03 —yellow 04 —blue
- 05 —Green 06 —magenta

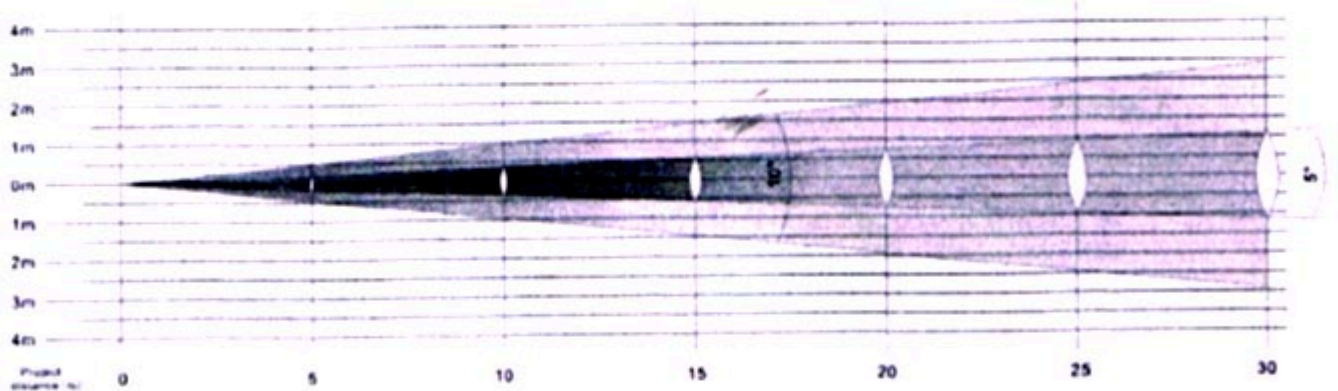
- 01 —6500K 02 —5600K
- 03 —4300K 04 —3800K
- 05 —3200K 06 —Frost

1. Technical Specifications

- Voltage : 200-240V/50-60Hz
- Lamp :YODN 15R 330W
- Lamp lifespan: 1500hours
- Lamination output: 4200lm
- Effect: 13lm/w
- Equally: 98%
- Dimmer: linear dimmer
- Color wheel:5 color+ white
- Iris: can adjust
- Color temperature: 3200-6500 color temperature +frost
- Focus: 5-10 degree with focus
- IP20
- Power: 100-240V, 50-60Hz,
- Total power: 420W
- Light size: 918x348x314mm
- Product weight: 26kg
- Stand weight: 6kg
- Flight case size: 1022x580x490mm

2. Lumination

Luminous diagram

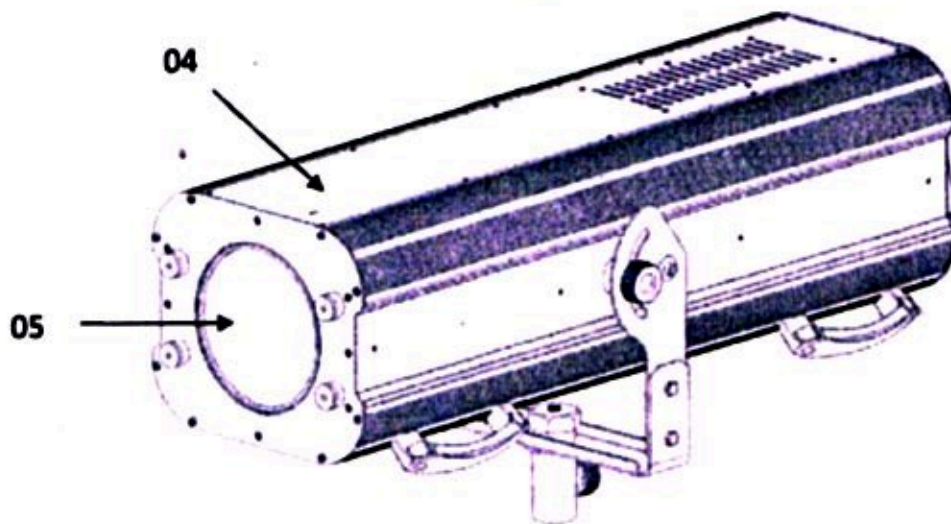
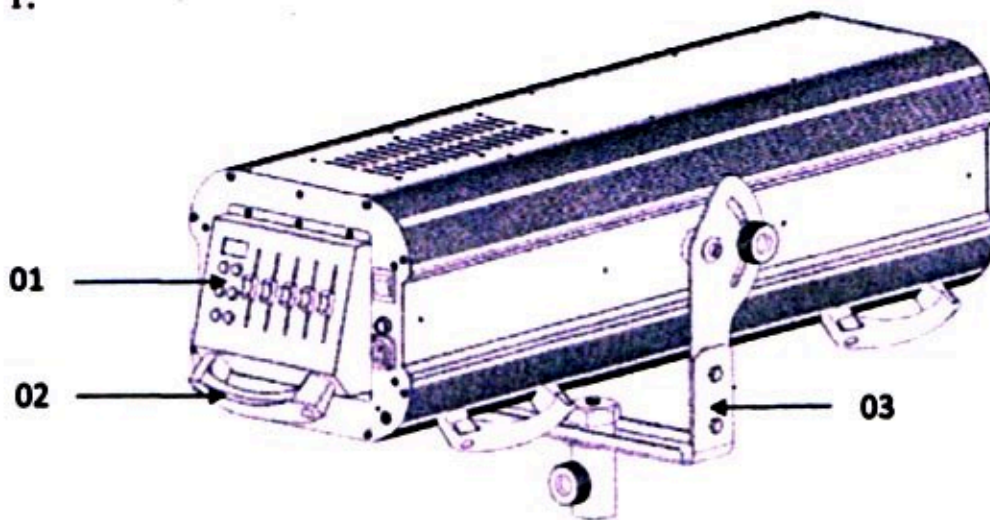


Lumen

DISTANCE	5m		10m		15m		20m		25m		30m	
ILLUMINATION	33486	8166	6371	2042	3721	907	2093	510	1339	327	930	227
SPOT SIZE	Ø0.44m	Ø0.90m 2.00m	Ø0.88m	Ø1.80m 2.00m	Ø1.32m	Ø2.71m 2.00m	Ø1.76m	Ø3.61m 2.00m	Ø2.20m	Ø4.51m 2.00m	Ø2.64m	Ø5.41m 2.00m

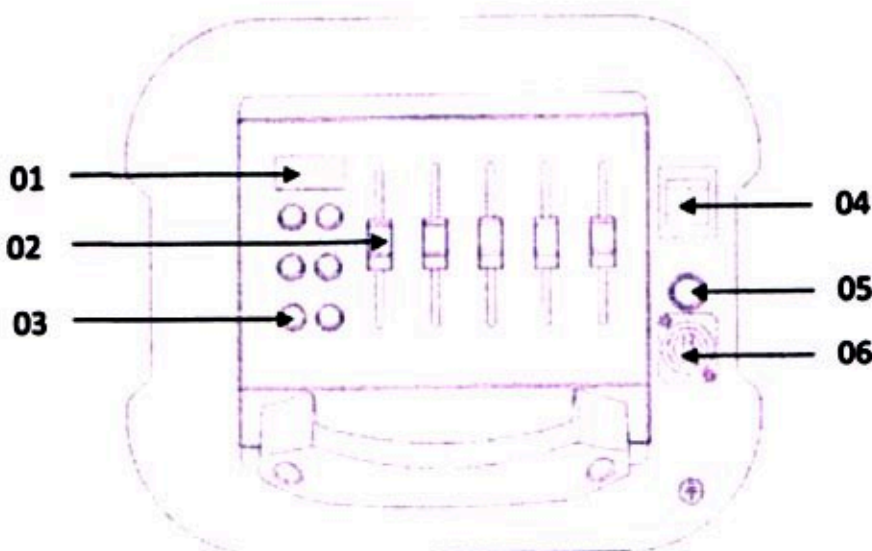
5.Part information

1.



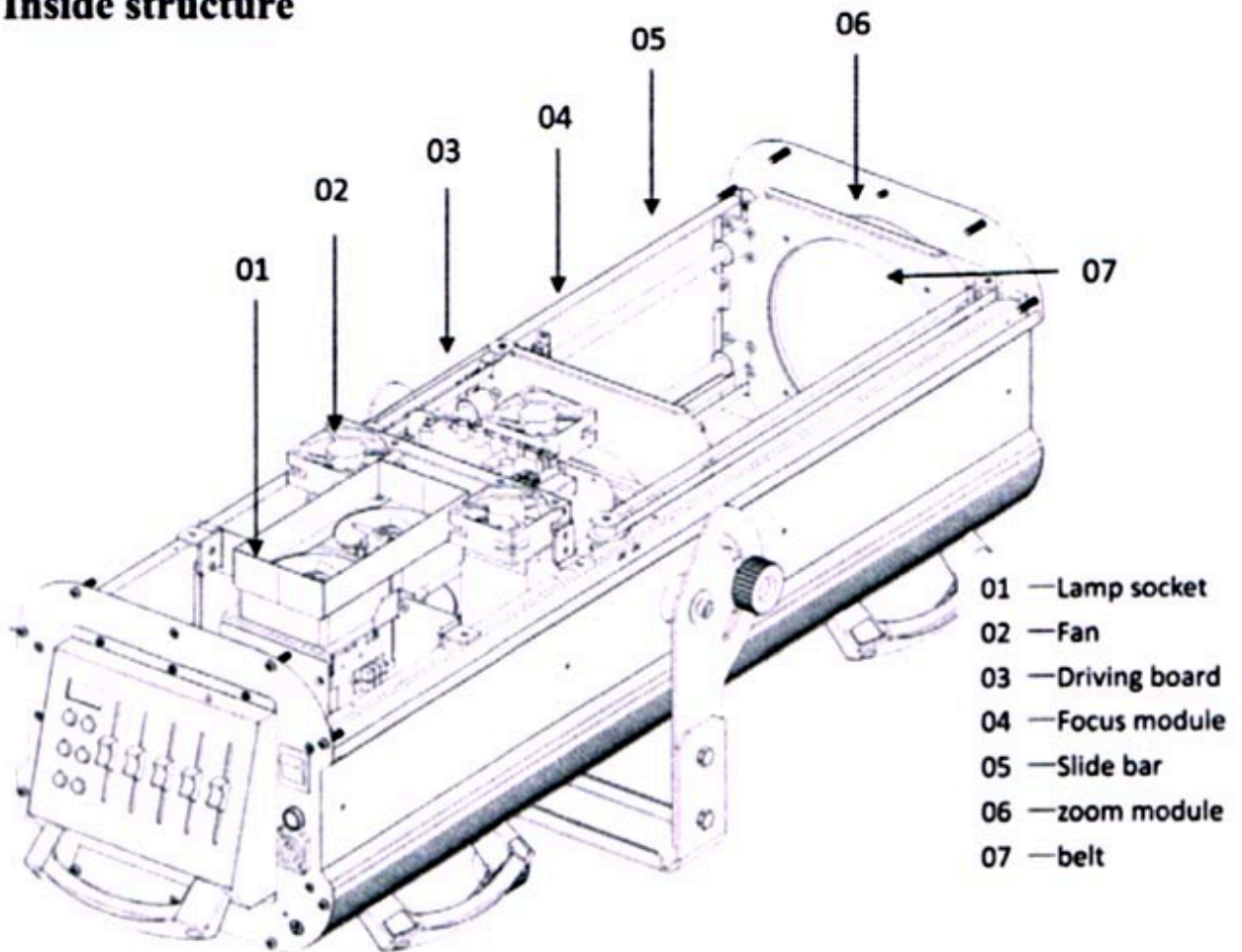
- 01 — control panel
- 02 — handle
- 03 — stand handle
- 04 — light
- 05 — lens

2. Control panel

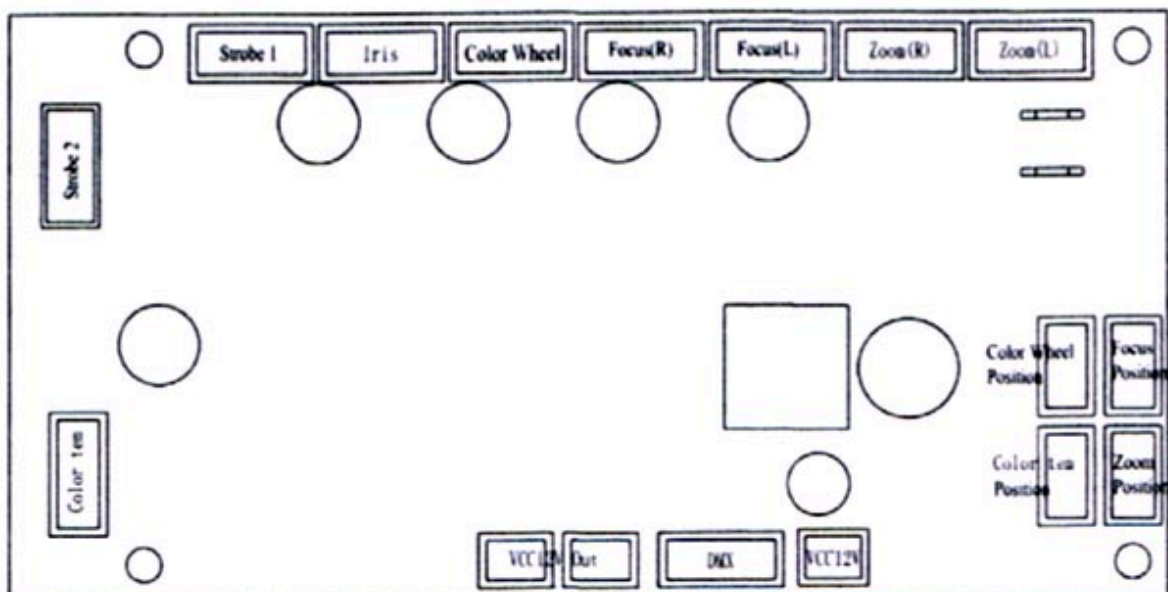


- 01 — display screen
- 02 — Channels rod
- 03 — Colors key
- 04 — Power switch
- 05 — Fuse
- 06 — Power input

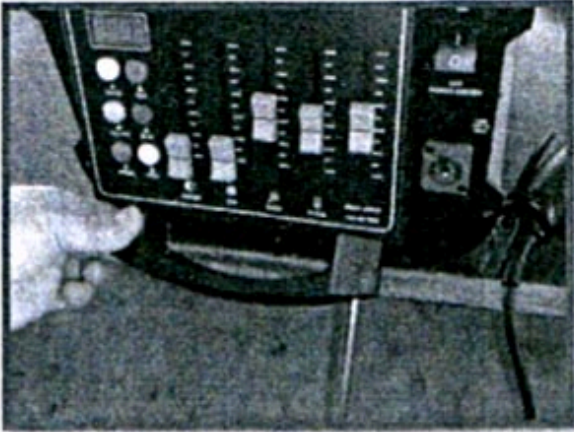
8. Inside structure



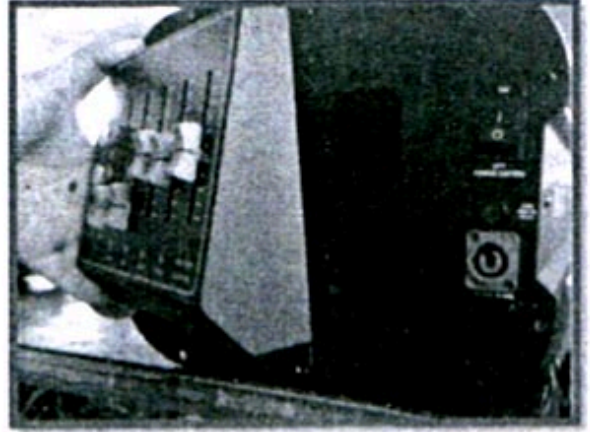
9. PCB



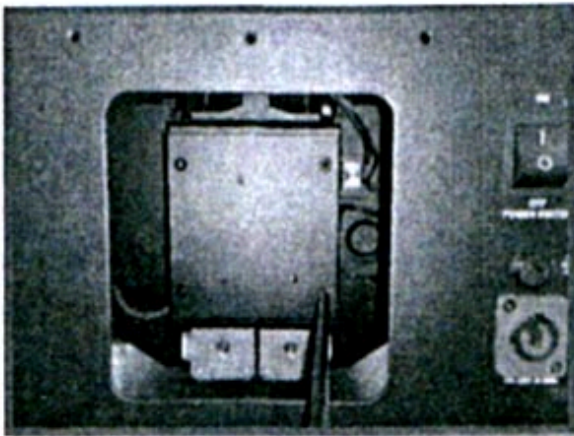
6. Lamp model and replacement



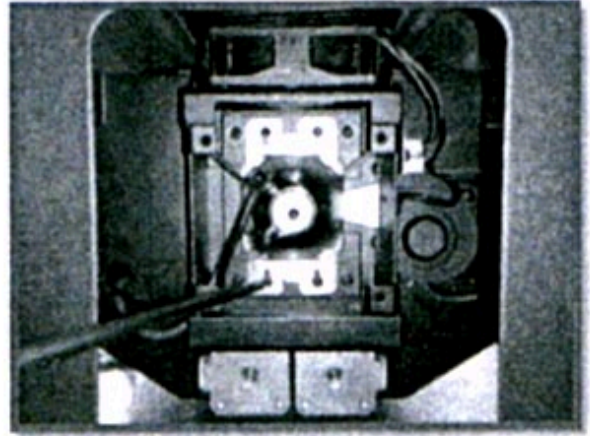
1. Discharge the handle:



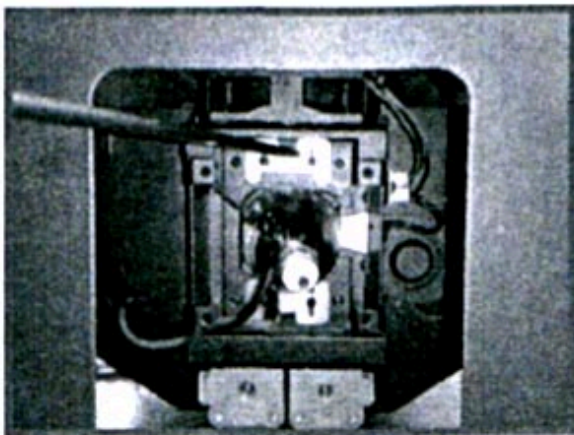
2. take apart the panel box



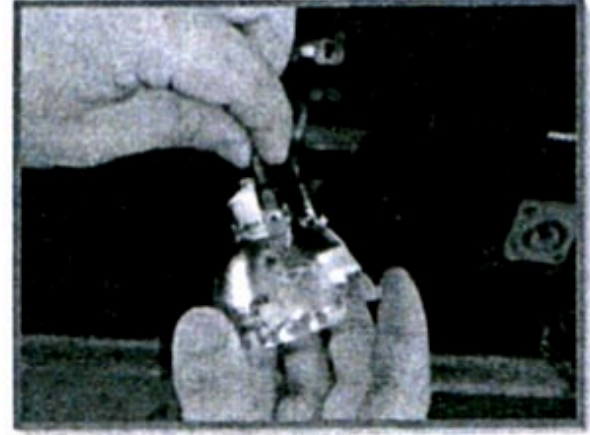
3. take part the lamp rear panel



4. take apart the screws for the lamp



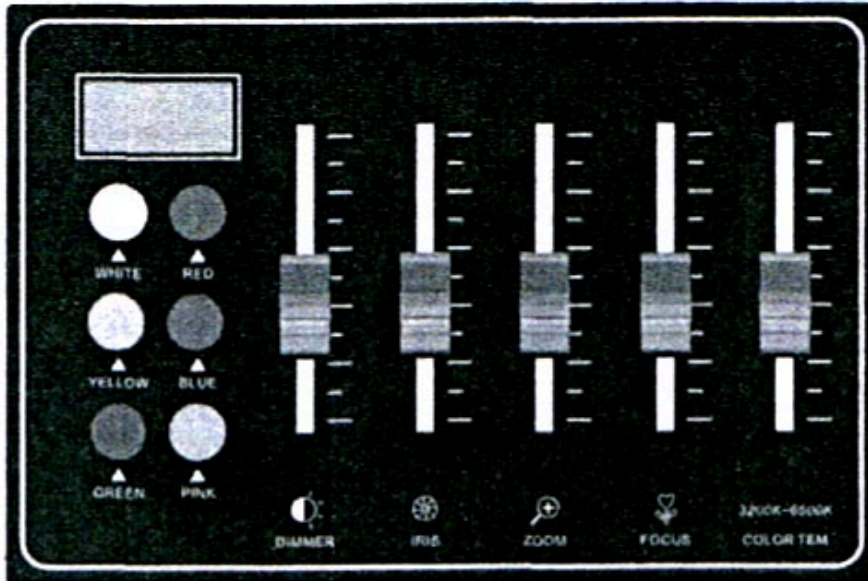
5. use the screws driver to hold the metal.



6. discharge the power cable.

7. Control panel

1. Panel operation instruction



When lamp off, press the red key for 3 seconds, the display show(on) for lamp on.
 When lamp on, press the white key for 3 seconds, the display show(OFF) for lamp off.

When lamp off, please wait about 10 minutes if need lamp on.(better for the Lamp life.)

DIMMER: Linear dimmer

IRIS: Iris zoom out and in

ZOOM: Spot zoom out and in

FOCUS: focus

COLOR TEM : Color temperature adjust from 6500K-3200K, to the top is the wash.

Channels	DMX Number	Function
Key	1	White
	2	Red
	3	Yellow
	4	Blue
	5	Green
	6	Pink
CH01	0-255	Dimmer
	0-129	Close
	240-255	Open
CH02	0-255	Iris
CH03	0-255	Zoom out
CH04	0-255	Focus
CH05	0-42	6500K
	43-84	5600K
	85-126	4300K
	127-168	3800K

	169-210	3200K
	211-255	Frost

Menu	item	Selection	Function
Info set < lInfo >	< t4PE >		Lights kind
	< FAn1 >		Fan 1 status (r19H:normal Error)
	< FAn2 >		Fan 2 status (r19H:Normal Error)
	< d15U >		Version (xxx)
	< dr1U >		Motor version (xxx)
	< rEtn >		Enter
Display set <d15P >	Display delay close < LoFF >	oN	Lamp on
		L001	Close after 1 min
		L002	Close after 2 min
	Menu display enter < NEN8 >	L003	Close after 3 min
		oFF	No enter
		N001	Enter after 1 min
	< rEtn >	N001	Enter after 2 min
		N001	Enter after 3 min
< rEtn >		Enter	
Feature SET < 5PEC >	Readress < rEdr >	< CoLo > color motor	Motor reset (0-255)
		< CoLt > color motor	
		< 2oon > focus motor	
		< FocU > focus motor	
	< rEtn >		Enter
	Run mode < rUod >	r001	manual
		r002	auto
	default < dEFA >	oFF	no
oN		Default set	
< rEtn >		enter	
< LANP >	default < LAPd >	oFF	Lamp off after reset
		oN	Lamp on after reset
	Lamp control < NAnL >	oFF	Lamp off by manual
		oN	lamp on by manual
< rEtn >		Enter	
< ALLr >		oFF	No Reset
		oN	Reset
rEtn			Menu exit